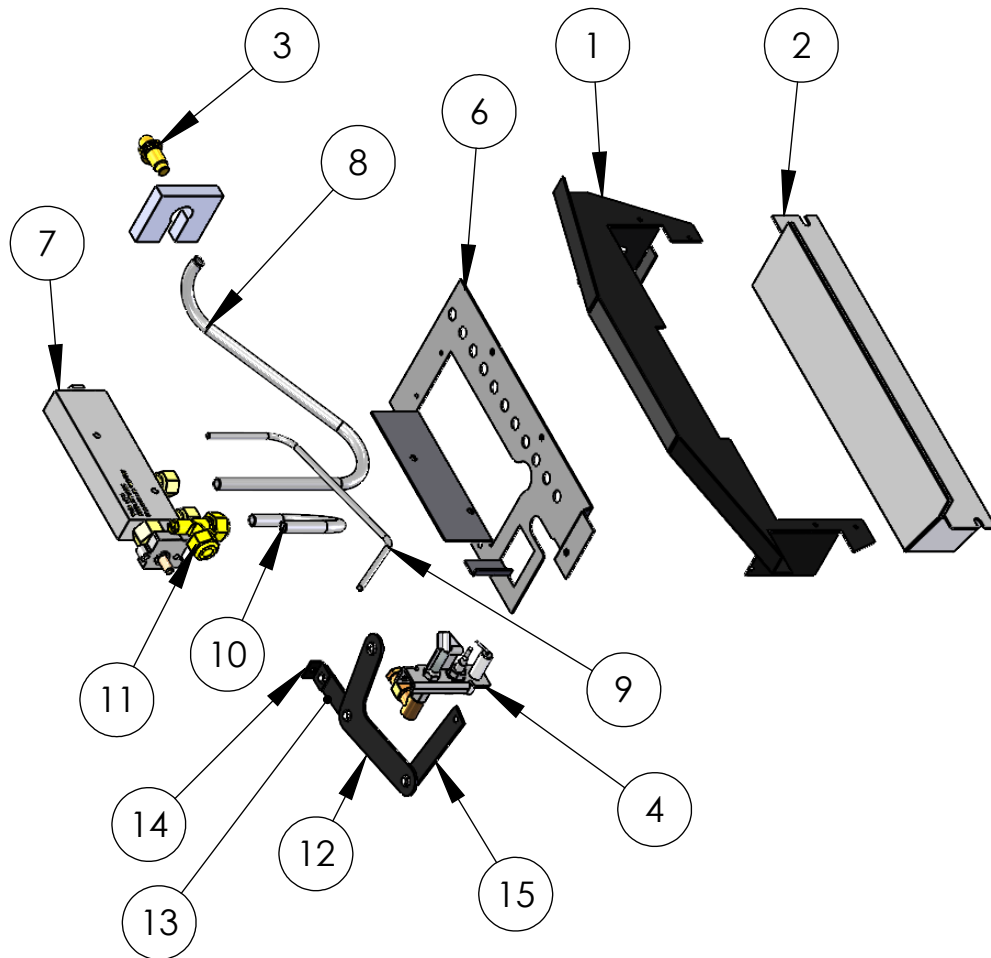


2000 Plus Slide Control Tray



ITEM NO.	PART NUMBER	DESCRIPTION	QTY.
1	Burner Support	5001	1
2	Burner assembly	2383	1
3	Injector	2799	1
4	Oxy Pilot Assy	6952	1
5	Sliencer	2400	1
6	Valve Bracket	5005	1
7	Slide Valve	2542	1
8	Injector Pipe	5017	1
9	Pilot Pipe	5018	1
10	inlet pipe	2566	1
11	Pressure Test point	1035	1
12	Bell Crank	3919	1
13	Short Link	4229	1
14	Valve Link	4228	1
15	Long Link	2559	1